



# Switch Locks

Medeco® 3/4" diameter, high security switch locks offer a wide range of electrical functions with the physical security and patented key control of a Medeco cylinder. Available in either single or double switch models, Medeco switch locks are ideally suited for applications requiring controlled access to electrically activated systems, including alarms, ATMs, time delay safes, encryption devices, heavy power equipment, control panels, and electrically accessed doors and gates. Switch locks use a five pin cylinder to maximize keyed different and master keying capabilities. Medeco design and engineering resources are available to assist customers with special functional requirements.



The Medeco<sup>3</sup> unique design provides triple locking action, making the locks virtually pick proof. All Medeco<sup>3</sup> keys and locks are protected under patent, trademark, and copyright laws. Medeco<sup>3</sup> keys may only be duplicated by Medeco or by an authorized Medeco Service Center, and only at your request.

## Benefits:

- ▼ Available in single or double switch models, momentary and maintained positions.
- ▼ Silver or gold contacts (for low amperage applications) designed to accept quick connect leads.
- ▼ Hardened stainless steel inserts inside the cylinder provide the ultimate defense against drill, pull, punch, and other forms of physical attack.
- ▼ Unique elevating and rotating tumbler pin system is virtually pick proof.
- ▼ Patented Medeco<sup>3</sup> keys may only be duplicated by Medeco or authorized Medeco Service Center, and only at your request.
- ▼ Medeco switch locks can be re-keyed by authorized Medeco Service Centers in case of lost or stolen keys.
- ▼ Medeco switch locks can be keyed in with other 60 series products (10 series products may be keyed into existing 60 series systems).
- ▼ Locks can be keyed alike, keyed different, or master keyed depending on your specific needs.

## Applications:

Medeco high security switch locks can be used to retrofit many 3/4" switch lock applications including:

- |                             |                    |
|-----------------------------|--------------------|
| Heavy Power Machinery       | Encryption Devices |
| Time Delay Safes            | Alarms             |
| Material Handling Equipment | Control Panels     |
| Construction Vehicles       | ATMs               |
| Electrically Accessed Gates |                    |
| Cash Control Systems        |                    |

## Certification:

Lock - UL® 437 Listed  
Switch - UL Registered, CSA Certified

## Warranty:

Warranted for two years against manufacturer's defects. See Medeco limited Warranty for full details.

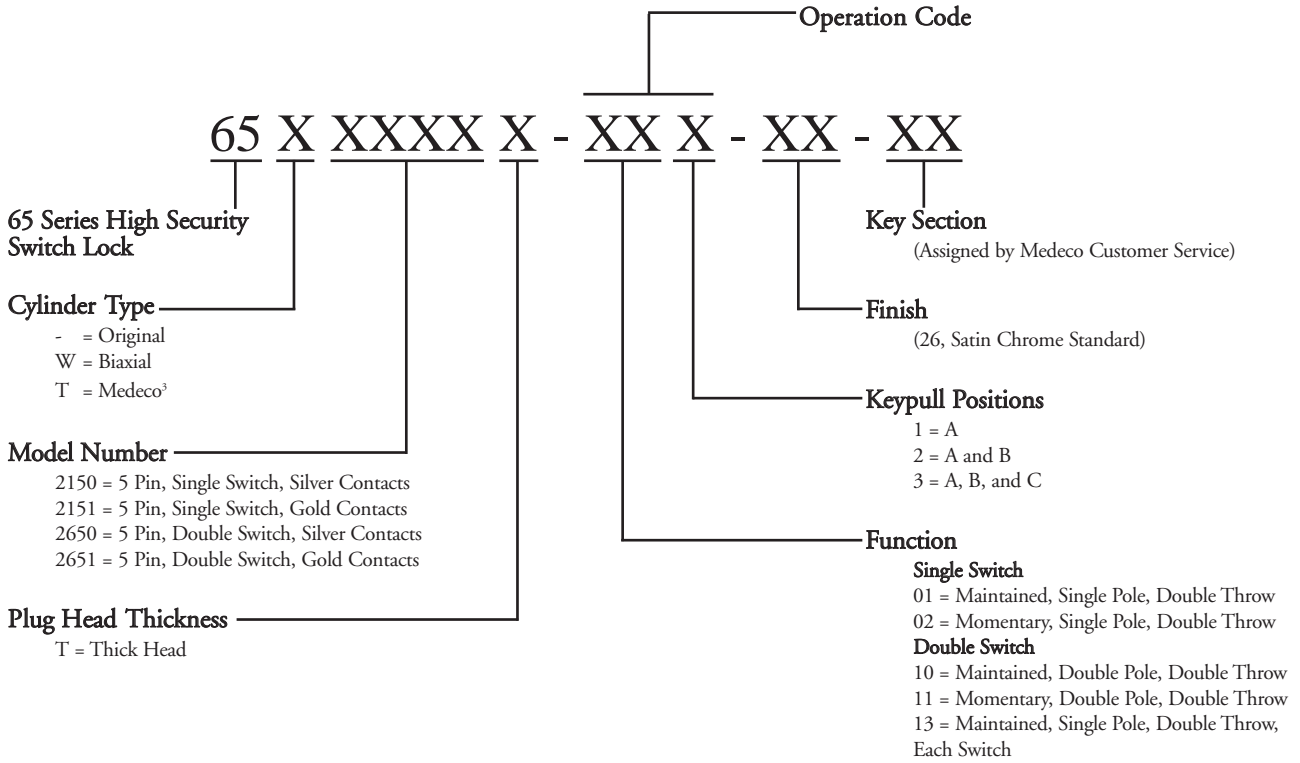
## Technical Information:

Five pin, 3/4" double "D" mounting standard. Available in either single or double switch models with silver (or gold) contacts. Rated at 7 amps resistive at 125/250 VAC. Contacts designed to accept quick connect leads (AMP connector number 60598-3).

## Finishes:

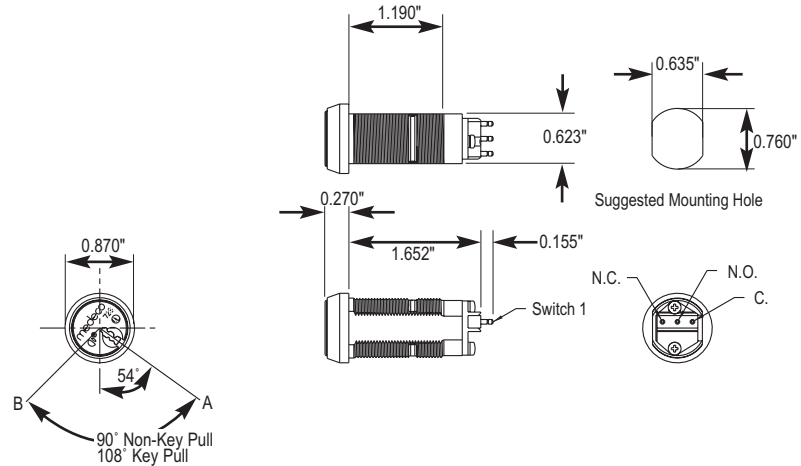
26 Satin chrome finish standard.

# Ordering Instructions



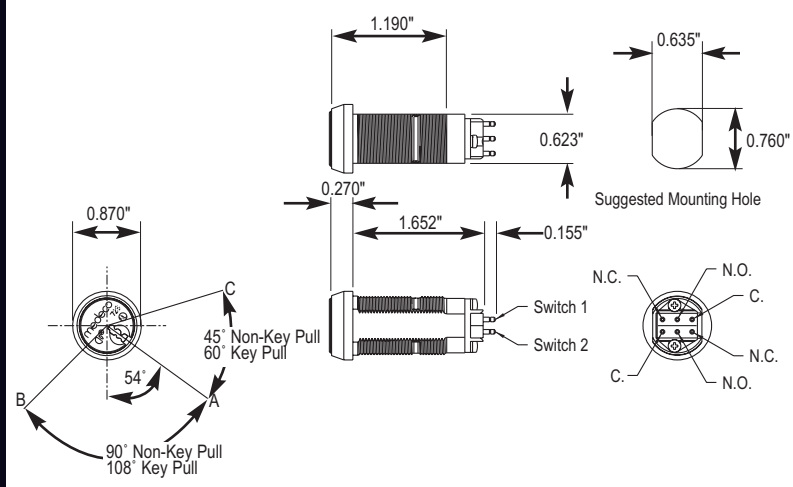
800.266.2646  
[www.coinsecurity.com](http://www.coinsecurity.com)  
[sales@coinsecurity.com](mailto:sales@coinsecurity.com)

## SINGLE SWITCH LOCKS

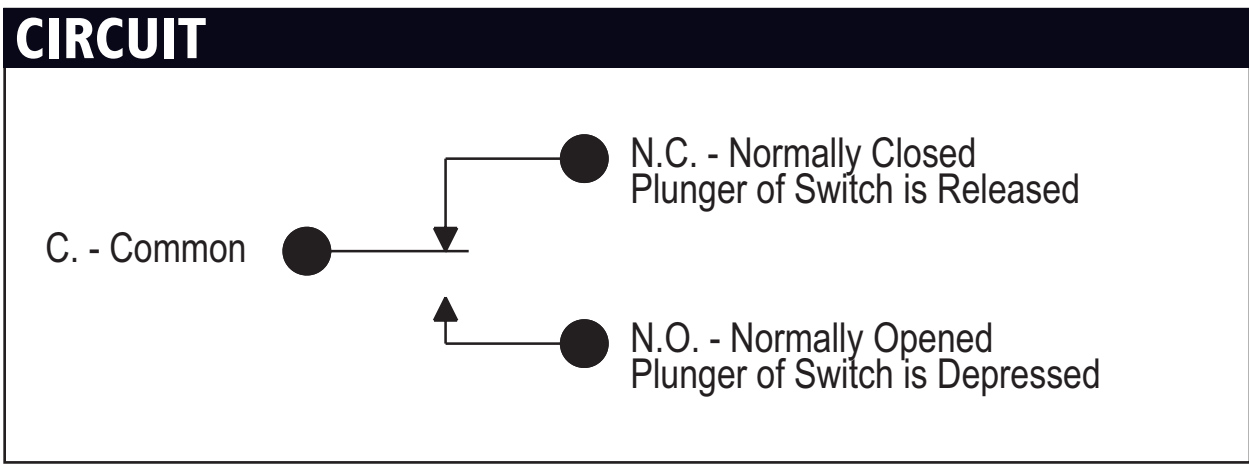


Op Code	Position A	Position B	Position C
011	Switch 1 - N.C.	Switch 1 - N.O.	N/A
012	Switch 1 - N.C.	Switch 1 - N.O.	N/A
021	Switch 1 - N.C.	Switch 1 - N.O.	N/A

## DOUBLE SWITCH LOCKS



Op Code	Position A	Position B	Position C
101	Switch 1 - N.C.	Switch 1 - N.O.	N/A
	Switch 2 - N.C.	Switch 2 - N.O.	
102	Switch 1 - N.C.	Switch 1 - N.O.	N/A
	Switch 2 - N.C.	Switch 2 - N.O.	
111	Switch 1 - N.C.	Switch 1 - N.O.	N/A
	Switch 2 - N.C.	Switch 2 - N.O.	
131	Switch 1 - N.C.	Switch 1 - N.O.	Switch 1 - N.C.
	Switch 2 - N.O.	Switch 2 - N.O.	Switch 2 - N.C.
132	Switch 1 - N.C.	Switch 1 - N.O.	Switch 1 - N.C.
	Switch 2 - N.C.	Switch 2 - N.C.	Switch 2 - N.O.
133	Switch 1 - N.C.	Switch 1 - N.O.	Switch 1 - N.C.
	Switch 2 - N.C.	Switch 2 - N.C.	Switch 2 - N.O.



### Electrical Data:

115/250 VAC, Silver Contacts	Sea Level	50,000 feet
Resistive	7 Amps	
Inductive	4 Amps	
Lamp	2 Amps	

28 VDC, Silver Contacts	Sea Level	50,000 feet
Resistive	7 Amps	4 Amps
Inductive	4 Amps	2.5 Amps
Lamp	2.5 Amps	2.5 Amps

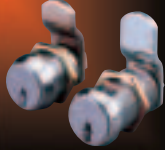
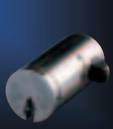
28 VDC, Gold Contacts	Sea Level	50,000 feet
Resistive	1 Amp	1 Amp
Inductive	0.5 Amps	0.5 Amps

Mechanical Life:	50,000 Cycles
Electrical Life, at Full Load:	25,000 Cycles
Operating Temperature:	-60° to 180° F

Contacts designed to accept quick connect leads (AMP connector number 60598-3).

### Accessories

PART #	Description
CP-27001I	4" Leadwire
CP-27002I	6" Leadwire
CP-27003I	12" Leadwire
CP-27004I	18" Leadwire
CP-27005I	24" Leadwire
CP-27006I	36" Leadwire
65-0003	Sleeve Kit. Includes chrome plated zinc sleeve with rubber grommet, 1 plain washer, 1 pronged washer. Used for mounting cam locks in harsh environments.
CP-150142	Silver Sub Miniature Snap Action Switch. Single Pole - Single or Double Throw
CP-150152	Gold Sub Miniature Snap Action Switch. Single Pole - Single or Double Throw
CP-150182	Silver Sub Miniature Snap Action Switch. Double Pole/Double Throw
CP-150102	Gold Sub Miniature Snap Action Switch. Double Pole/Double Throw



# Rotary Switch Lock

Medeco's rotary switch lock is designed for use with most brands of rotary switches, providing maximum versatility in systems requiring multiple switch functions. Switch locks are available with a variety of key withdrawals at either 45 degrees or 30 degree increments. Positive stops are available to eliminate over-torquing of switch stops. Switch locks use a five pin cylinder to maximize keyed different and master keying capabilities. Medeco design and engineering resources are available to assist customers with special functional requirements.



The Medeco<sup>3</sup> unique design provides triple locking action, making the locks virtually pickproof. All Medeco<sup>3</sup> keys and locks are protected under patent trademark and copyright laws. Medeco<sup>3</sup> keys may only be duplicated by Medeco or an authorized Medeco Service Center, and only at your request.

## Benefits:

- ▼ Hardened stainless steel inserts inside the cylinder provide the ultimate defense against drill, pull, punch, and other forms of physical attack on the cylinder.
- ▼ Unique elevating and rotating tumbler pin system is virtually pick proof.
- ▼ Patented Medeco<sup>3</sup> keys may only be duplicated by Medeco or an authorized Medeco Service Center, and only at your request.
- ▼ Medeco switch locks can be re-keyed by authorized Medeco Service Centers in case of lost or stolen keys.
- ▼ Medeco switch locks can be keyed in with other 60 series products (10 series products may be keyed into existing 60 series systems.)
- ▼ Locks can be keyed alike, keyed different, or master keyed depending on your specific needs.

## Applications:

Medeco rotary switch locks can be used to retrofit many rotary switch lock applications including:

- |                             |                    |
|-----------------------------|--------------------|
| Heavy Power Machinery       | Encryption Devices |
| Time Delay Safes            | Alarms             |
| Material Handling Equipment | Control Panels     |
| Construction Vehicles       | ATMs               |
| Electrically Accessed Gates |                    |
| Cash Control Systems        |                    |

## Certification:

Lock - UL<sup>®</sup> 437 Listed  
Switch - UL Registered, CSA Certified

## Warranty:

Warranted for two years against manufacturer's defects. See Medeco limited Warranty for full details.

## Technical Information:

Five pin, 3/4" single "D" mounting standard.

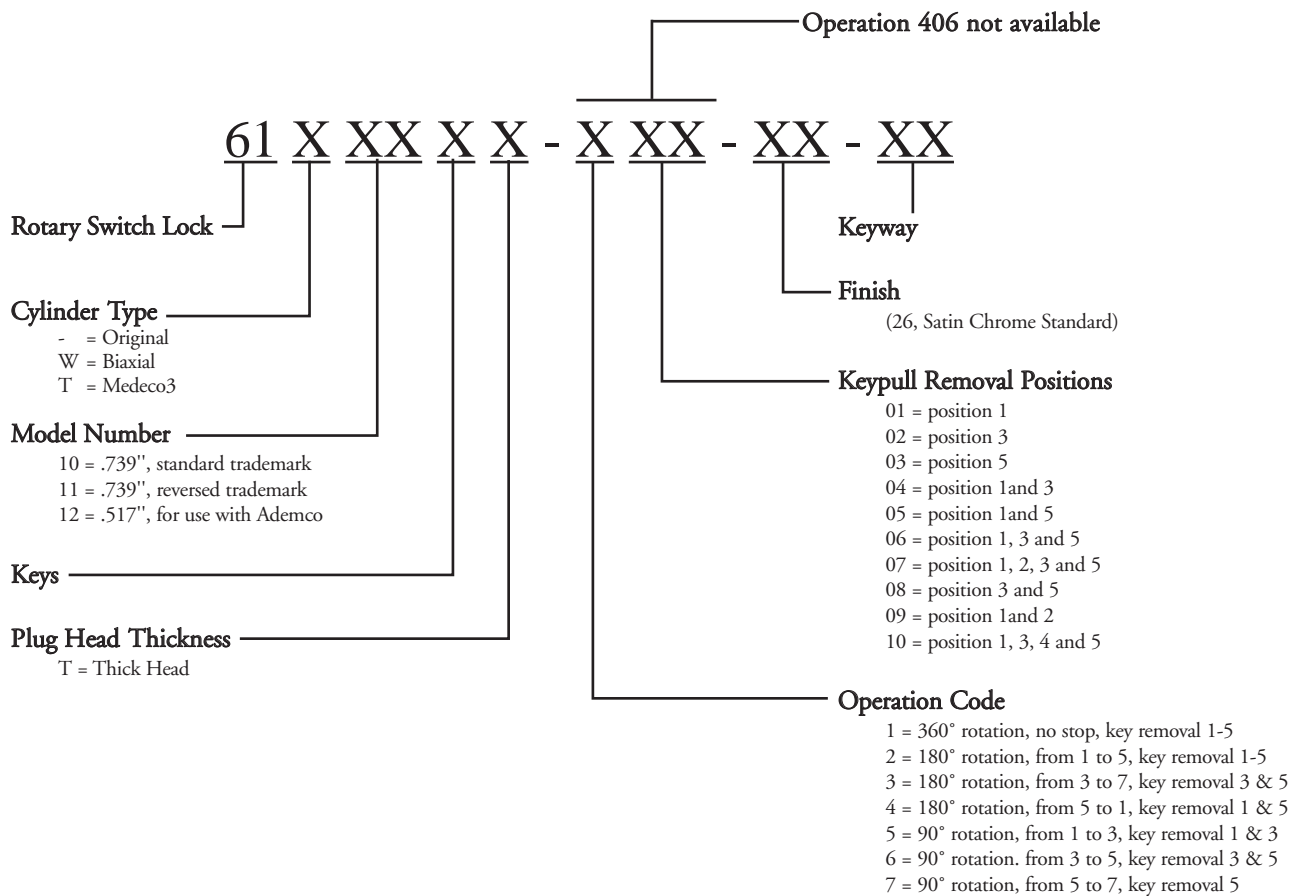
Available in 90, 180 or 360 degree rotations with key removal positions as required (see catalog).

## Finishes:

26 Satin chrome finish standard.



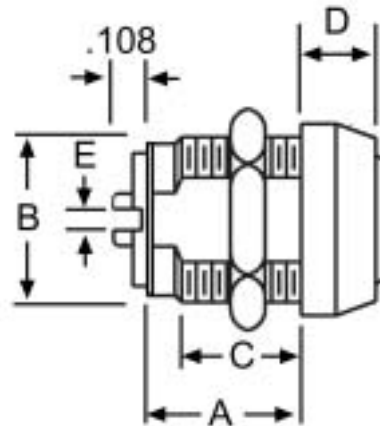
# Ordering Instructions



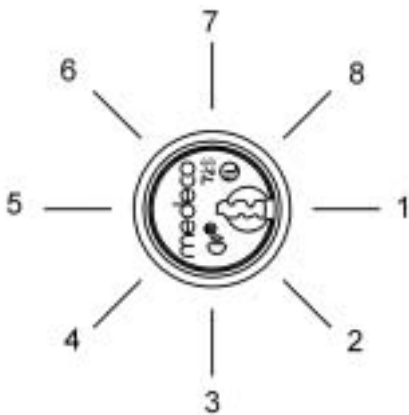
800.266.2646  
[www.coinsecurity.com](http://www.coinsecurity.com)  
[sales@coinsecurity.com](mailto:sales@coinsecurity.com)

# Technical Drawings

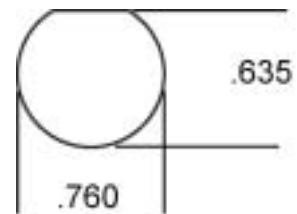
## ROTARY SWITCH LOCKS



Cylinder Type	A	B	C	D	E	Features
10	.739 18.77 mm	.75 19.05 mm	.584 14.83 mm	.337 8.30 mm	.094 19.05 mm	Trademark
11	.739 18.77 mm	.75 19.05 mm	.584 14.83 mm	.337 8.30 mm	.75 19.05 mm	Trademark Reversed
12	.517 13.13 mm	.692 17.57 mm		.515 13.08 mm	.962 17.57 mm	For use with Ademco Switch ONLY



Suggested Mounting Dimensions



Operation Code	Degree of Rotation	From Position	Clockwise To Position	Standard Key Removal Available In Position
1	360°			1 thru 5
2	180°	1	5	1 thru 5
3	180°	3	7	3 and 5
4	180°	5	1	1 and 5
5	90°	1	3	1 and 3
6	90°	3	5	3 and 5
7	90°	5	7	5 only



800.266.2646  
www.coinsecurity.com  
sales@coinsecurity.com